

# SMART COUNTER



## SMART COUNTER SS

product	<b>SMART COUNTER SS</b>
unit size	970mm (H) x 360 (L) x 600mm (W)
weight	7.6 kg

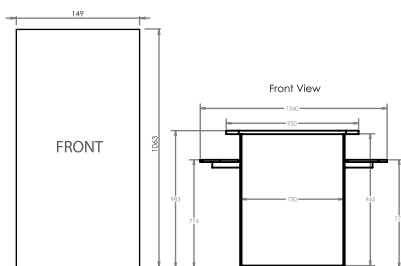


## SMART COUNTER LS

product	<b>SMART COUNTER LS</b>
unit size	1000mm (H) x 475mm (L) x 800mm (W)
nett weight	8.6kg

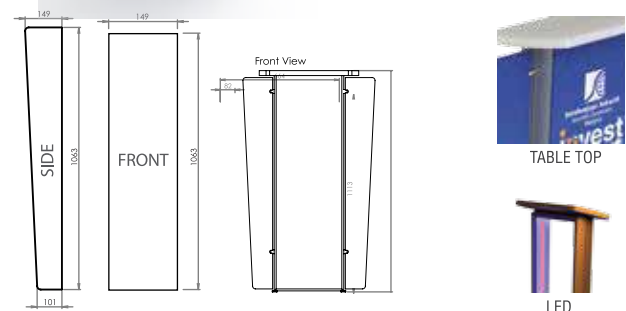
# MIRALINE

The perfect podium for a perfect speech.



## MIRALINE

product	<b>MIRALINE COUNTER</b>
unit size	983mm (H) x 1340mm (L) x 330mm (W)
nett weight	9.1kg
gross weight	12.2kg



## MIRALINE

product	<b>ROSTRUM COUNTER</b>
unit size	1113mm (H) x 664mm (L) x 300mm (W)
nett weight	9.1kg
gross weight	12.2kg